

Mainsail Measurement

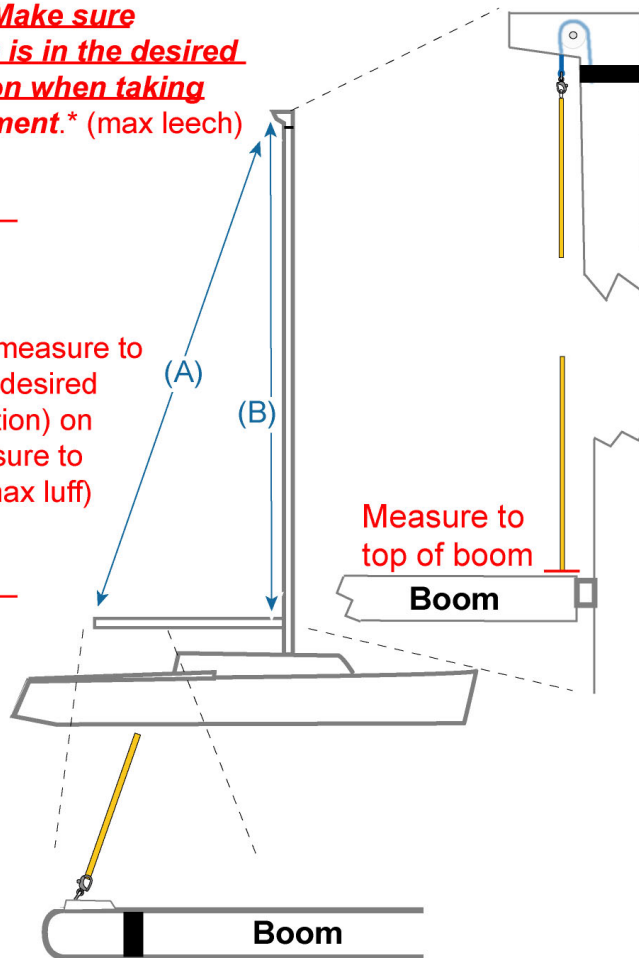
1. Mast Measurements: Luff and Leech

(A) With the tape measure hoisted to the bottom of the black band on the mast, measure to the clew location at the outhaul fitting. ***Make sure that the boom is in the desired sailing position when taking this measurement.**** (max leech)

(A) _____

(B) Hoist tape measure to black band (or desired max hoist position) on mast and measure to top of boom (max luff)

(B) _____



*A perpendicular boom angle is standard. Please measure max leech taking into account a dodger or different angle if desired

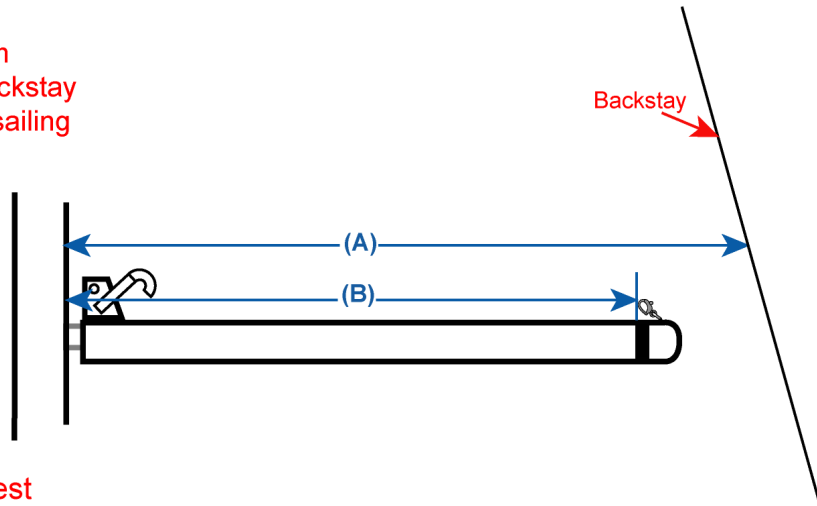
2. Measuring Foot Length

(A) Measure the distance from the aft edge of mast to the backstay with the boom in the desired sailing position

(A) _____

(B) Measure the length of the boom from the AFT EDGE OF THE MAST to the outhaul fitting in its furthest position aft, inside the black band where applicable.
(max foot)

(B) _____



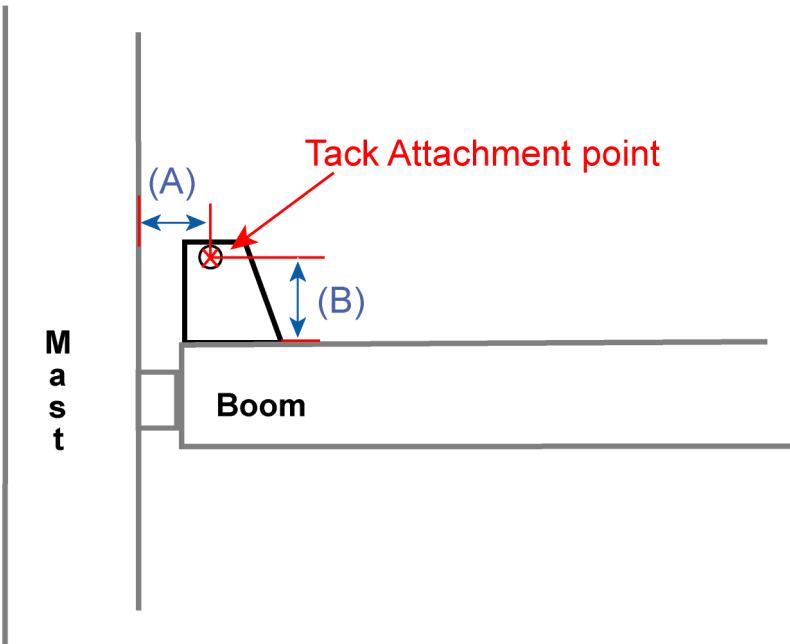
3. Measuring Tack up/Tack Back - Mainsail

(A) With the tape measure at the aft edge of the mast, measure the distance to the tack attachment point.
(tack back)

(A) _____

(B) Measure the distance from the top of the boom to the tack attachment point.
(tack up)

(B) _____



4. Measure Reefing Points

(A) Measure the distance from the back of the mast to the reef hook attachment point*. (Reef Hook Back)

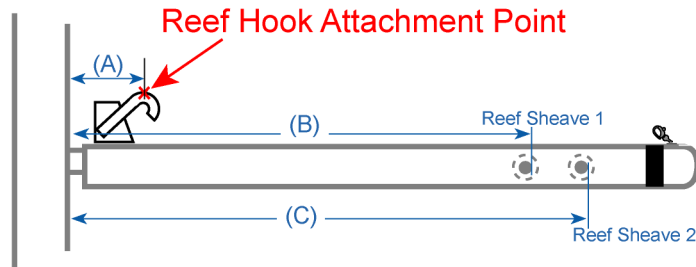
(A) _____

(B) Measure the distance from the back of the mast to the aft end of the first reef sheave. (Reef Sheave #1)

(B) _____

(C) Measure the distance from the back of the mast to the aft end of the second reef sheave. (Reef Sheave #2)

(C) _____



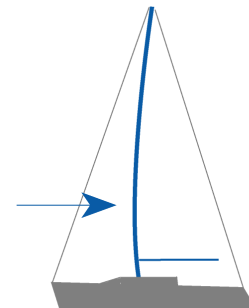
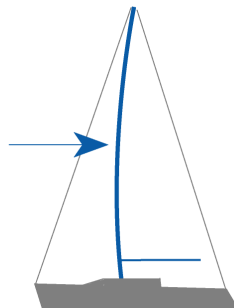
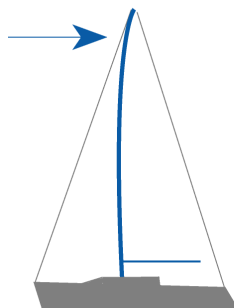
*Note: If no reef hook exists measure to the desired position of the reef tack

5. Determine the location of the maximum bend in your mast.

(A) At the top

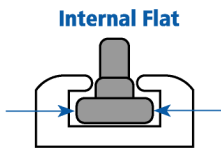
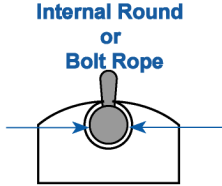
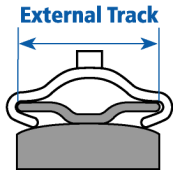
(B) In the middle

(C) At the bottom



6. Luff/Foot Attachment

Note: BOTH Luff and Foot attachments must be included.

 <p>Internal Flat</p> <p>Measure Width of Slide</p> <p>(3/4") _____</p> <p>(5/8") _____</p> <p>(7/8") _____</p>	 <p>Internal Round or Bolt Rope</p> <p>Measure Diameter of slide/bolt rope</p> <p>(5/16") _____</p> <p>(3/8") _____</p> <p>(1/2") _____</p> <p>or</p> <p>Bolt Rope Diameter _____</p>	 <p>External Track</p> <p>Measure width of track on mast/boom</p> <p>Track Width _____</p>
---	---	--

Check Here for loose footed Mainsail

Check Here if foot is connected to boom

7. Clew / Outhaul Car

(A) Measure the length of the Outhaul Track. (A) _____

Check Here if the outhaul connects directly to sail

(B) Measure the height of the clew attachment point from the top of the boom. (B) _____

(C) Measure the distance the Outhaul Car can travel. (C) _____

